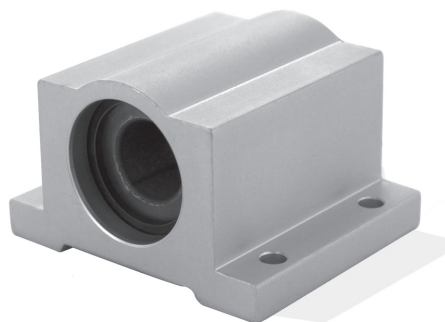
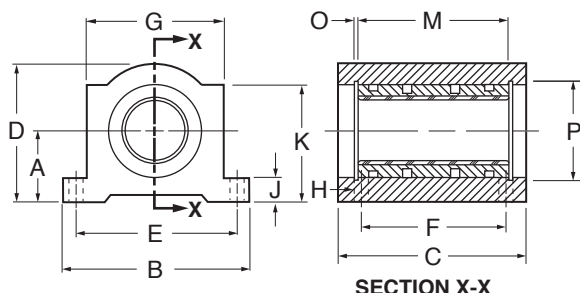




## Frelon® Lined PILLOW BLOCKS-CLOSED TYPE

- Self-Aligning • Anodized 6061-T6 Aluminum Body
- Frelon® Lined Aluminum Bearing • Self-Lubricating



### PRECISION SERIES

Operating Temperature: -400°F to +500°F

Catalog Number	Bore <sup>§</sup> Dia.	A ±.001	B Base Width	C Length	D Height	E ± .010	F ± .010	G Body Width	H		J	K	M Groove Spacing	O Groove Width	P Groove Dia.	Max.* Load Rating lbs.
									Bolt	Hole						
BLAABX-PX04XCP	.2500	.437	1.625	1.188	.813	1.312	.750	1.000			.188	.750	.750	.039	.532	600
BLAABX-PX06XCP	.3750	.500	1.750	1.313	.938	1.437	.875	1.125	#6	5/32	.188	.875	.875	.039	.665	1020
BLAABX-PX08XCP	.5000	.687	2.000	1.688	1.250	1.688	1.000	1.375			.250	1.125	1.250	.046	.931	1950
BLAABX-PX10XCP	.6250	.875	2.500	1.938	1.625	2.125	1.125	1.750	#8	3/16	.281	1.438	1.500	.056	1.197	2940
BLAABX-PX12XCP	.7500	.937	2.750	2.063	1.750	2.375	1.250	1.875	#8	3/16	.313	1.563	1.625	.056	1.330	3810
BLAABX-PX16XCP	1.0000	1.187	3.250	2.813	2.188	2.875	1.750	2.375	#10	7/32	.375	1.938	2.250	.068	1.671	7050
BLAABX-PX20XCP	1.2500	1.500	4.000	3.625	2.813	3.500	2.000	3.000	#10	7/32	.438	2.500	2.625	.068	2.122	10290
BLAABX-PX24XCP	1.5000	1.750	4.750	4.000	3.250	4.125	2.500	3.500	1/4	9/32	.500	2.875	3.000	.086	2.519	14100
BLAABX-PX32XCP	2.0000	2.125	6.000	5.000	4.063	5.250	3.250	4.500	3/8	13/32	.625	3.625	4.000	.103	3.182	25050

### COMPENSATED SERIES

Operating Temperature: -400°F to +500°F

Catalog Number	Bore <sup>§</sup> Dia.	A ±.001	B Base Width	C Length	D Height	E ± .010	F ± .010	G Body Width	H		J	K	M Groove Spacing	O Groove Width	P Groove Dia.	Max.* Load Rating lbs.
									Bolt	Hole						
BLAABX-PX04CCS	.2500	.437	1.625	1.188	.813	1.312	.750	1.000			.188	.750	.750	.039	.532	600
BLAABX-PX06CCS	.3750	.500	1.750	1.313	.938	1.437	.875	1.125	#6	5/32	.188	.875	.875	.039	.665	1020
BLAABX-PX08CCS	.5000	.687	2.000	1.688	1.250	1.688	1.000	1.375			.250	1.125	1.250	.046	.931	1950
BLAABX-PX10CCS	.6250	.875	2.500	1.938	1.625	2.125	1.125	1.750	#8	3/16	.281	1.438	1.500	.056	1.197	2940
BLAABX-PX12CCS	.7500	.937	2.750	2.063	1.750	2.375	1.250	1.875	#8	3/16	.313	1.563	1.625	.056	1.330	3810
BLAABX-PX16CCS	1.0000	1.187	3.250	2.813	2.188	2.875	1.750	2.375	#10	7/32	.375	1.938	2.250	.068	1.671	7050
BLAABX-PX20CCS	1.2500	1.500	4.000	3.625	2.813	3.500	2.000	3.000	#10	7/32	.438	2.500	2.625	.068	2.122	10290
BLAABX-PX24CCS	1.5000	1.750	4.750	4.000	3.250	4.125	2.500	3.500	1/4	9/32	.500	2.875	3.000	.086	2.519	14100
BLAABX-PX32CCS	2.0000	2.125	6.000	5.000	4.063	5.250	3.250	4.500	3/8	13/32	.625	3.625	4.000	.103	3.182	25050

NOTE: For parallel shaft applications, use Compensated Series bearings.

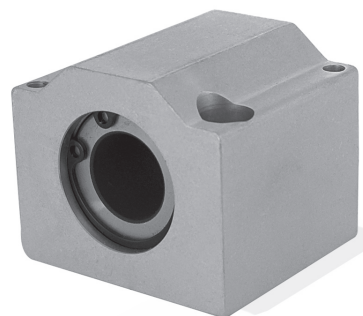
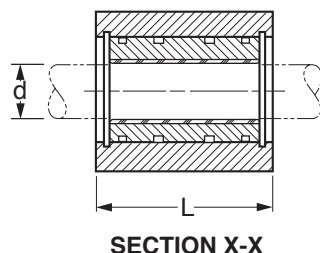
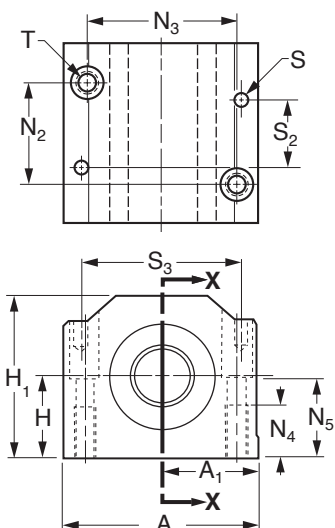
\*Maximum speed is 400 ft/min.; maximum PV is 10000 dry.

**§Bore Tolerance for Precision Series :**  
 .2500 to 1.2500 +.0010 / -.0000  
 1.5000 +.0012 / -.0000  
 2.0000 +.0014 / -.0000

**§Bore Tolerance for Compensated Series :**  
 .2500 to 1.2500 +.0020 / +.0030  
 1.5000 +.0040 / +.0052  
 2.0000 +.0050 / +.0064

## Frelon® Lined PILLOW BLOCKS-CLOSED TYPE

- Self-Aligning • Anodized Aluminum Body 6061-T6
- Frelon® Lined Aluminum Bearing • Self-Lubricating



### PRECISION SERIES

Catalog Number	d* Nom. Bore Size	H ± 0.015	H <sub>1</sub> Height	A Width	A <sub>1</sub> ± 0.013	L Length	T	N <sub>2</sub> ± 0.15	N <sub>3</sub> ± 0.15	N <sub>4</sub>	N <sub>5</sub>	S	S <sub>2</sub>	S <sub>3</sub>	Maximum Static Load N
BLAUBXMPMX08CP	8	15	28	35	17.5	32	M4 X 0.7	20	25	9	14.5	—	—	—	—
BLAUBXMPMX10CP	10	16	31.5	40	20	36	M5 X 0.8	20	29	11	15	4	29	31	5978
BLAUBXMPMX12CP	12	18	35	43	21.5	39	M5 X 0.8	23	32	11	16.5	4	32	34	7898
BLAUBXMPMX16CP	16	22	42	53	26.5	43	M6 X 1	26	40	13	21	4	35	42	11858
BLAUBXMPMX20CP	20	25	50	60	30	54	M8 X 1.25	32	45	18	24	5	45	50	18522
BLAUBXMPMX25CP	25	30	60	78	39	67	M10 X 1.5	40	60	22	29	6	20	64	29850
BLAUBXMPMX30CP	30	35	71	87	43.5	79	M10 X 1.5	45	68	22	34	6	30	72	41983
BLAUBXMPMX40CP	40	45	91	108	54	91	M12 X 1.75	58	86	26	44	8	35	90	65856
BLAUBXMPMX50CP	50	50	105	132	66	113	M16 X 2	50 <sup>Δ</sup>	108 <sup>Δ</sup>	34	49	10	42	108	102900

### COMPENSATED SERIES

Catalog Number	d* Nom. Bore Size	H ± 0.015	H <sub>1</sub> Height	A Width	A <sub>1</sub> ± 0.013	L Length	T	N <sub>2</sub> ± 0.15	N <sub>3</sub> ± 0.15	N <sub>4</sub>	N <sub>5</sub>	S	S <sub>2</sub>	S <sub>3</sub>	Maximum Static Load N
BLAUBXMPMX08CCS	8	15	28	35	17.5	32	M4 X 0.7	20	25	9	14.5	—	—	—	—
BLAUBXMPMX10CCS	10	16	31.5	40	20	36	M5 X 0.8	20	29	11	15	4	29	31	5978
BLAUBXMPMX12CCS	12	18	35	43	21.5	39	M5 X 0.8	23	32	11	16.5	4	32	34	7898
BLAUBXMPMX16CCS	16	22	42	53	26.5	43	M6 X 1	26	40	13	21	4	35	42	11858
BLAUBXMPMX20CCS	20	25	50	60	30	54	M8 X 1.25	32	45	18	24	5	45	50	18522
BLAUBXMPMX25CCS	25	30	60	78	39	67	M10 X 1.5	40	60	22	29	6	20	64	29850
BLAUBXMPMX30CCS	30	35	71	87	43.5	79	M10 X 1.5	45	68	22	34	6	30	72	41983
BLAUBXMPMX40CCS	40	45	91	108	54	91	M12 X 1.75	58	86	26	44	8	35	90	65856
BLAUBXMPMX50CCS	50	50	105	132	66	113	M16 X 2	50 <sup>Δ</sup>	108 <sup>Δ</sup>	34	49	10	42	108	102900

\*Bore Tolerance for Precision Series  
 8 & 10 mm +0.035, +0.013  
 12 & 16 mm +0.043, +0.016  
 20, 25 & 30 mm +0.053, +0.020  
 40 & 50 mm +0.064, +0.025

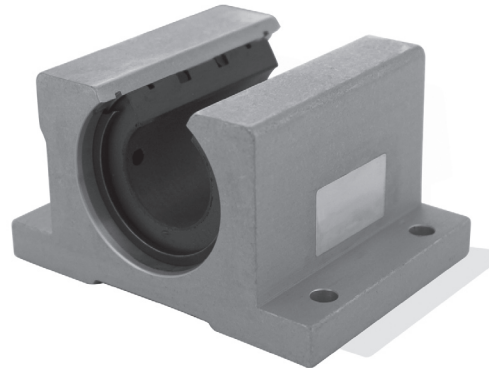
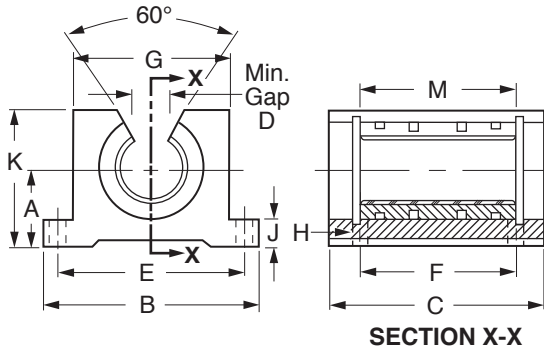
\*Bore Tolerance for Compensated Series  
 8 & 10 mm +0.085, +0.063  
 12 & 16 mm +0.093, +0.066  
 20, 25 & 30 mm +0.129, +0.096  
 40 & 50 mm +0.166, +0.127

<sup>Δ</sup> Tolerance: ± 0.2



## Frelon® Lined PILLOW BLOCKS-OPEN TYPE

- Self-Aligning • Anodized 6061-T6 Aluminum Body
- Frelon® Lined Aluminum Bearing • Self-Lubricating



### PRECISION SERIES

Operating Temperature: -400°F to +500°F

Catalog Number	Bore <sup>§</sup> Dia.	A ± .001	B Base Width	C Length	D Min.	E ± .010	F ± .010	G Body Width	H		J	K Height	M Groove Spacing	Max.* Load Rating lbs.
									Bolt	Hole				
BLAABX-PN08XOP	.5000	.687	2.000	1.50	.313	1.688	1.000	1.375	#6	5/32	.250	1.125	1.250	1950
BLAABX-PN10XOP	.6250	.875	2.500	1.75	.375	2.125	1.125	1.750	#8	3/16	.281	1.438	1.500	2940
BLAABX-PN12XOP	.7500	.937	2.750	1.88	.438	2.375	1.250	1.875	#8	3/16	.313	1.563	1.625	3810
BLAABX-PN16XOP	1.0000	1.187	3.250	2.63	.563	2.875	1.750	2.375	#10	7/32	.375	1.938	2.250	7050
BLAABX-PN20XOP	1.2500	1.500	4.000	3.38	.625	3.500	2.000	3.000	#10	7/32	.438	2.500	2.625	10290
BLAABX-PN24XOP	1.5000	1.750	4.750	3.75	.750	4.125	2.500	3.500	1/4	9/32	.500	2.875	3.000	14100
BLAABX-PN32XOP	2.0000	2.125	6.000	4.75	1.000	5.250	3.250	4.500	3/8	13/32	.625	3.625	4.000	25050

### COMPENSATED SERIES

Operating Temperature: -400°F to +500°F

Catalog Number	Bore <sup>§</sup> Dia.	A ± .001	B Base Width	C Length	D Min.	E ± .010	F ± .010	G Body Width	H		J	K Height	M Groove Spacing	Max.* Load Rating lbs.
									Bolt	Hole				
BLAABX-PN08COS	.5000	.687	2.000	1.50	.313	1.688	1.000	1.375	#6	5/32	.250	1.125	1.250	1950
BLAABX-PN10COS	.6250	.875	2.500	1.75	.375	2.125	1.125	1.750	#8	3/16	.281	1.438	1.500	2940
BLAABX-PN12COS	.7500	.937	2.750	1.88	.438	2.375	1.250	1.875	#8	3/16	.313	1.563	1.625	3810
BLAABX-PN16COS	1.0000	1.187	3.250	2.63	.563	2.875	1.750	2.375	#10	7/32	.375	1.938	2.250	7050
BLAABX-PN20COS	1.2500	1.500	4.000	3.38	.625	3.500	2.000	3.000	#10	7/32	.438	2.500	2.625	10290
BLAABX-PN24COS	1.5000	1.750	4.750	3.75	.750	4.125	2.500	3.500	1/4	9/32	.500	2.875	3.000	14100
BLAABX-PN32COS	2.0000	2.125	6.000	4.75	1.000	5.250	3.250	4.500	3/8	13/32	.625	3.625	4.000	25050

**NOTE:** For parallel shaft applications, use Compensated Series.

\*Maximum speed is 400 ft/min.; maximum PV is 10000 dry.

Maximum load must be reduced by 1/2 when load is applied to the open half of the bearing.

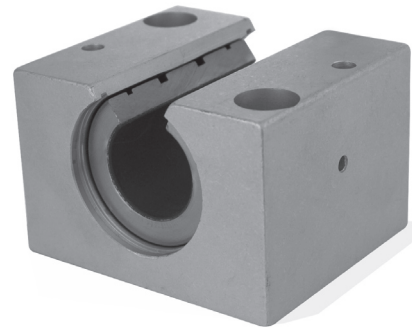
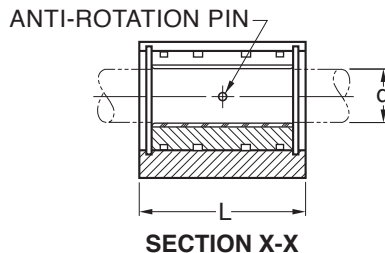
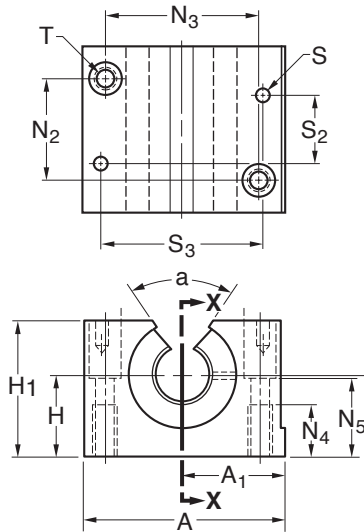
**§Bore Tolerance for Precision Series :**  
 .5000 to 1.2500 +.0010 / -.0000  
 1.5000 +.0012 / -.0000  
 2.0000 +.0014 / -.0000

**§Bore Tolerance for Compensated Series :**  
 .5000 to 1.2500 +.0020 / +.0030  
 1.5000 +.0040 / +.0052  
 2.0000 +.0050 / +.0064



## Frelon® Lined PILLOW BLOCKS-OPEN TYPE

- Self-Aligning • Anodized Aluminum Body 6061-T6
- Frelon® Lined Aluminum Bearing • Self-Lubricating



### PRECISION SERIES

Catalog Number	d* Nom. Bore Size	H ± 0.015	H <sub>1</sub> Height	A Width	A <sub>1</sub> ± 0.013	L Length	T	N <sub>2</sub> ± 0.15	N <sub>3</sub> ± 0.15	N <sub>4</sub>	N <sub>5</sub>	S	S <sub>2</sub>	S <sub>3</sub>	a deg.	Maximum Static Load N
BLAUBXMPMN12OP	12	18	28	43	21.5	39	M5 X 0.8	23	32	11	16.5	4	32	34	66°	7898
BLAUBXMPMN16OP	16	22	35	53	26.5	43	M6 X 1	26	40	13	21	4	35	42	68°	11858
BLAUBXMPMN20OP	20	25	42	60	30	54	M8 X 1.25	32	45	18	24	5	45	50	60°	18522
BLAUBXMPMN25OP	25	30	51	78	39	67	M10 X 1.5	40	60	22	29	6	20	64	60°	29850
BLAUBXMPMN30OP	30	35	60	87	43.5	79	M10 X 1.5	45	68	22	34	6	30	72		41983
BLAUBXMPMN40OP	40	45	77	108	54	91	M12 X 1.75	58	86	26	44	8	35	90		65856
BLAUBXMPMN50OP	50	50	88	132	66	113	M16 X 2	50 <sup>Δ</sup>	108 <sup>Δ</sup>	34	49	10	42	108		102900

### COMPENSATED SERIES

Catalog Number	d* Nom. Bore Size	H ± 0.015	H <sub>1</sub> Height	A Width	A <sub>1</sub> ± 0.013	L Length	T	N <sub>2</sub> ± 0.15	N <sub>3</sub> ± 0.15	N <sub>4</sub>	N <sub>5</sub>	S	S <sub>2</sub>	S <sub>3</sub>	a deg.	Maximum Static Load N
BLAUBXMPMN12COS	12	18	28	43	21.5	39	M5 X 0.8	23	32	11	16.5	4	32	34	66°	7898
BLAUBXMPMN16COS	16	22	35	53	26.5	43	M6 X 1	26	40	13	21	4	35	42	68°	11858
BLAUBXMPMN20COS	20	25	42	60	30	54	M8 X 1.25	32	45	18	24	5	45	50	60°	18522
BLAUBXMPMN25COS	25	30	51	78	39	67	M10 X 1.5	40	60	22	29	6	20	64	60°	29850
BLAUBXMPMN30COS	30	35	60	87	43.5	79	M10 X 1.5	45	68	22	34	6	30	72		41983
BLAUBXMPMN40COS	40	45	77	108	54	91	M12 X 1.75	58	86	26	44	8	35	90		65856
BLAUBXMPMN50COS	50	50	88	132	66	113	M16 X 2	50 <sup>Δ</sup>	108 <sup>Δ</sup>	34	49	10	42	108		102900

#### \*Bore Tolerance for Precision Series

12 & 16 mm +0.043, +0.016  
 20, 25 & 30 mm +0.053, +0.020  
 40 & 50 mm +0.064, +0.025

#### \*Bore Tolerance for Compensated Series

12 & 16 mm +0.093, +0.066  
 20, 25 & 30 mm +0.129, +0.096  
 40 & 50 mm +0.166, +0.127

<sup>Δ</sup> Tolerance: ± 0.2