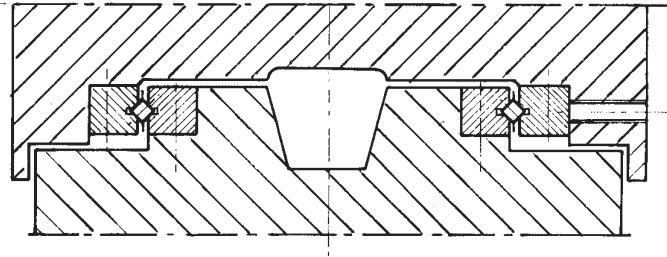
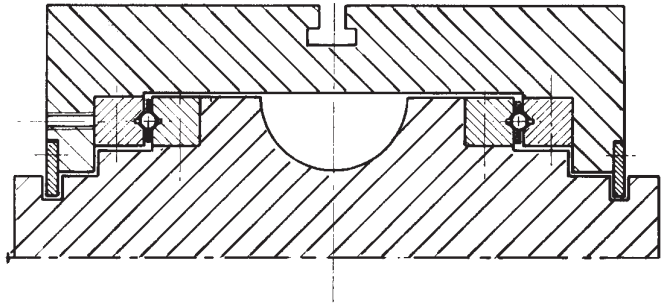


Table arrangements

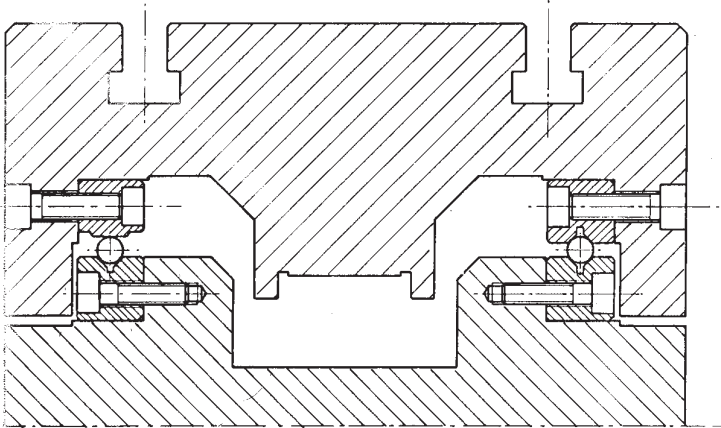
Applications of cross roller way GR type (closed arrangement system)



Application of ball way system GR type (closed arrangement)



Application of ball way system with rails type GR & T (open arrangement)



Application of needle way system RM/RV type (closed arrangement)

